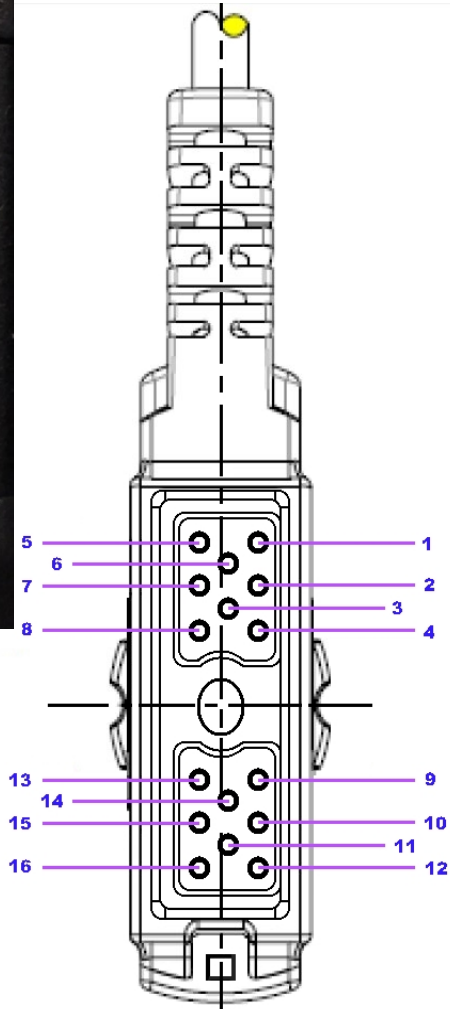


Hytera PD78x Pin-Belegung Stecker



Ansicht Geräteanschluß



Ansicht Stecker Pin-Seite

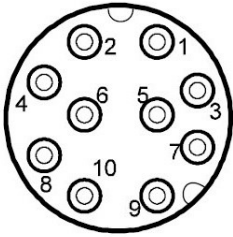
16-Pin Accessory Interface

Pin No.	Name	Function	Valid Level
1	GND	Ground (analog & digital)	
2	SPK-	External speaker-	
3	SEL1-Accessory	Accessory identifier 1	L
4	SEL2-Accessory	Accessory identifier 2	L
5	Emergency	Emergency	L
6	SPK+	External speaker+	
7	USB+ / RTS	USB+ / RTS	
8	USB- / CTS	USB- / CTS	
9	SWB+	Power supply for the interface	
10	MIC-	External MIC-	
11	GPIO	GPIO	
12	MIC+	External MIC+	
13	SEL3-Accessory	Accessory identifier 3 or 1-wire communication interface	L
14	TX	TX end of serial port communication	
15	RX	RX end of serial port communication	
16	PTT	TX control	L

Definition of Accessory Identifiers

No.	OPT_SEL1	OPT_SEL2	OPT_SEL3	Definition
1	0	0	0	Reserved
2	0	0	1	Reserved
3	0	1	0	USB master mode for the radio
4	0	1	1	For connecting earpieces
5	1	0	0	For connecting MODEM
6	1	0	1	For connecting remote speaker microphones
7	1	1	0	Programming cable (serial port)/ USB slave mode for the radio
8	1	1	1	No accessory

Hytera MD78x Pin-Belegung Mic-Stecker



Pin No.	Name	I/O	Description
J404 (to front panel aviation socket)			
1	Accessory identifier port 1	Digital input	Pin 1 and pin 10 (accessory identifier port 2) compose an accessory identification matrix. See MMP accessory identification for more details.
2	PTT input	Digital input	Used to input PTT signal from microphone. The pin is at low level when PTT is hold down.
3	Handset audio output	Analog output	Accessory audio line. It is open when accessory identification code is 00 01 10, and is off when the code is 11.
4	USB_D- / serial port RX	USB data line/input pin	USB data bus D- (compared with CPU inside the mobile radio)
5	GND	Ground line	This pin together with MIC provides differential input.
6	USB_VBUS	Power supply	+5V, 500mA. 5V is output when accessory identification code is 00 01 10, and low level is output when the code is 11.
7	Mic input	Analog input	Palm microphone input. $V_{rms}=80mV @ 60\%$ system max. deviation
8	USB_D+ / serial port TX	USB data line/output pin	USB data bus D+ (compared with CPU inside the mobile radio)
9	HOOK	Hook signal input	Valid upon low level. The default is high level. Hook and Monitor functions: when key is pressed, low level is present at this pin. Then Hook function will be active if palm microphone or keypad microphone is detected, or the Monitor function will be active if desktop microphone is detected.
10	Accessory identifier port 2	Digital input	Pin 1 (accessory identifier port 1) and pin 10 compose an accessory identification matrix. See MMP accessory identification for more details.

Hytera MD78x Pin-Belegung Expansion-Stecker Rückseite



- Pin 9 and 18 connects to the speaker.
- A jumper between pin 6 and pin 13 will enable external audio and cancel internal audio.
- Both Speakers cannot be enabled at the same time.

Pin No.	Name	I/O	Description
J403 (to end pin socket)			
1	Vbus USB	Power supply	+5V, 500mA. 5V is output when accessory identification code is 00 01 10, and low level is output when the code is 11.
2	Ground	Ground line	
3	GP5_3	Digital input/output	General purpose I/O interface with function defined through the CPS
4	SW B+ sense	Power supply	13V output voltage; output current ≤1.5A
5	External Alarm	Analog voltage output	Programmable output pin with function defined through the CPS (the default is External Alarm)
6	Power Ground	Power supply ground	
7	Tx Audio	Analog input	Used to input signal from external mic; audio path is valid upon press of external PTT.
8	RX Audio	Analog output	Used to output received audio signal.
9	Spkr-	Analog output	External speaker output -
10	D+ USB	USB data +	
11	USB_GROUDN	Ground line	
12	GP5_2	Digital input/output	General purpose I/O interface with function defined through the CPS (the default is Monitor)
13	ACC_IO2	Digital input	Accessory identifier port; three kinds of accessory identification status, and one default status are provided by the pin together with pin 15 ACC_IO3.
14	Emerg Sw	Digital input	When Emergency is active, this pin is at low level.
15	ACC_IO3	Digital input	Accessory identifier port
16	PRGM_IN_PTT	Digital input	Programmable input pin (the default is PTT) valid upon low level
17	Audio Ground	Audio ground	
18	Spkr+	Analog output	External speaker output +
19	D- USB	USB data -	
20	GP5_8	Input/output	This pin is used as UART RX for TETRA mobile radio, and is used as general purpose I/O interface for DMR mobile radio.
21	Ground	Ground line	
22	GP5_7	Input/output	General purpose I/O interface
23	GP5_6	Digital input/output	General purpose I/O interface with function defined through the CPS
24	AUX Audio Out 1	Analog output	Aux audio (external speaker) output 1
25	AUX Audio Out 2	Analog output	Aux audio (external speaker) output 2
26	Ign Sense	Analog voltage input	Ignition sense pin